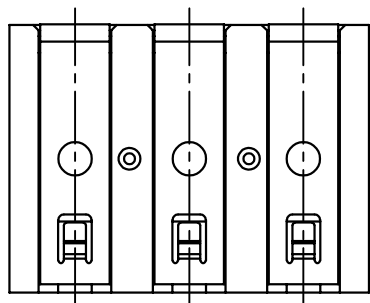
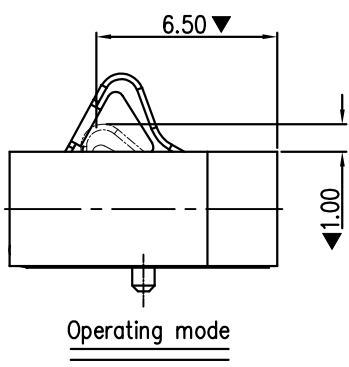
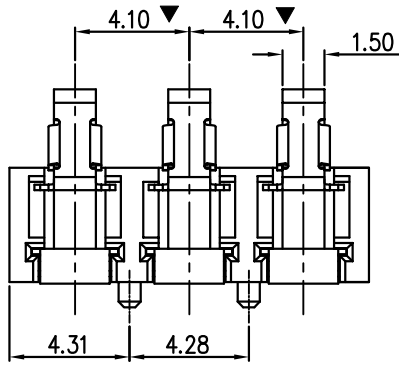
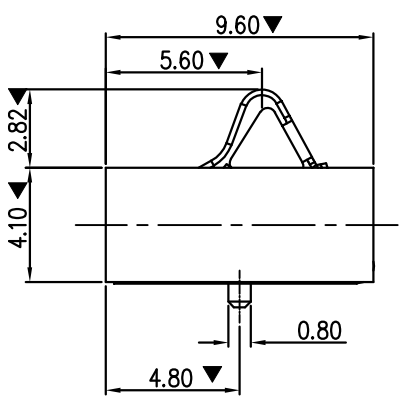
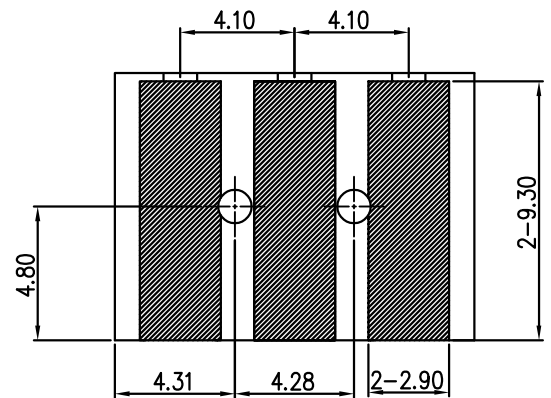
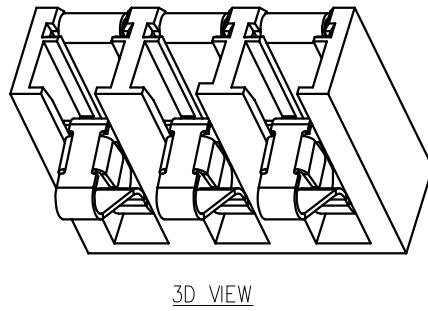
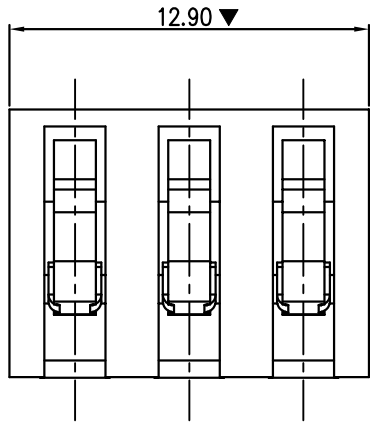


REV.	ECN NO.	DESCRIPTION	DESIGN	DATE
A	XXXXXXX	INITIAL	Kai	2017.07.29



NOTES:

1. MATERIAL:
 - 1.1 Housing: High Temperature Thermoplastic UL94V-0; Color Black.
 - 1.2 Terminal: Copper Alloy.
 - 1.3 Stator: Copper Alloy
2. SPECIALITY:
 - 2.1 Rated current: 0.5A
 - 2.2 Rated voltage: 30V
 - 2.3 Contact Resistance: 50mΩ MAX
 - 2.4 Insulation Resistance: 100MΩ MIN 100V DC
 - 2.5 Dielectric withstanding voltage: 100V AC.
 - 2.6 Solder ability: 235±5s, 5±0.5s.
 - 2.7 Durability: 5000 Cycles Min.
 - 2.8 Operating condition: Temperature: -30℃~+80℃; Humidity: 80% R.H MAX

UNLESS OTHERWISE SPECIFIED TOLERANCES		东莞市溪榜电子有限公司 DONG GUAN XI BANG ELECTRONICS CO., LTD.		DWG NO.	Q/XM-CP-RD-0016	PART NAME:	BATTERY 3PIN PH:4.1mm SMT TYPE
DECIMALS:	ANGLES:			DESIGN:		PART NO.	XB-BTJR0003-F03G1WR-A
DIM	TOL	DIM	TOL	CHECK:		REV.	UNIT: SHEET:
X.	±0.50	X.	±2°	APPROVED		A	mm 1/1
X.X	±0.30	X.X	±1°				
X.XX	±0.20	X.XX	///				
X.XXX	±0.10	X.XXX	///				

ITEM	PART NAME	Q'TY	MATERIAL	DESCRIPTION	REMARK
②	HOUSING	1	HIGHT TEMPERATURE PLASTIC		
①	CONTACT A	1	SUA301 0.20T	Au PLATED	