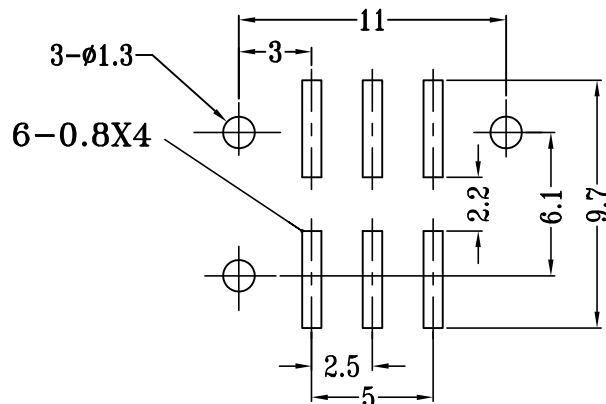
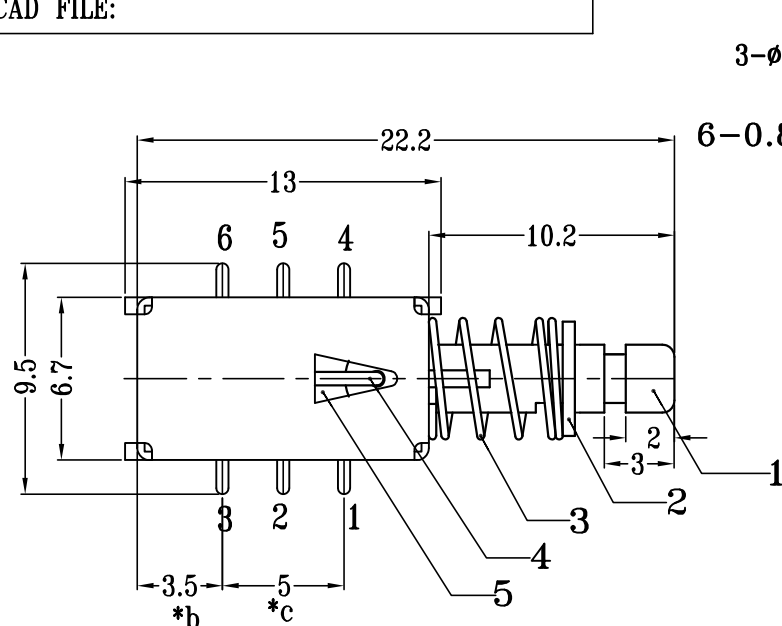
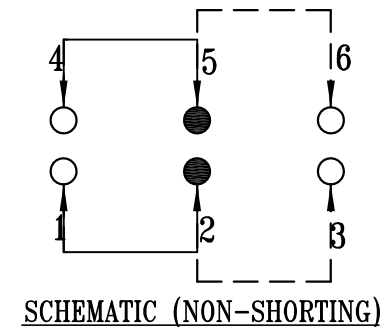
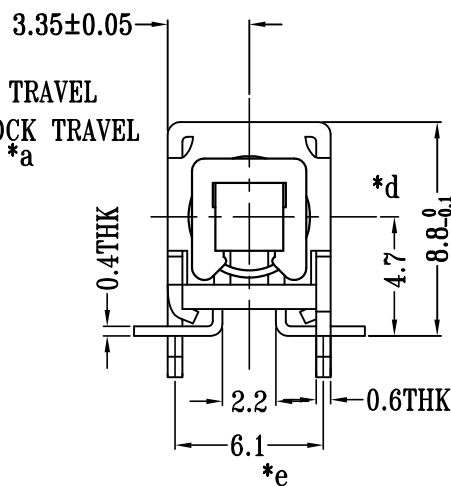
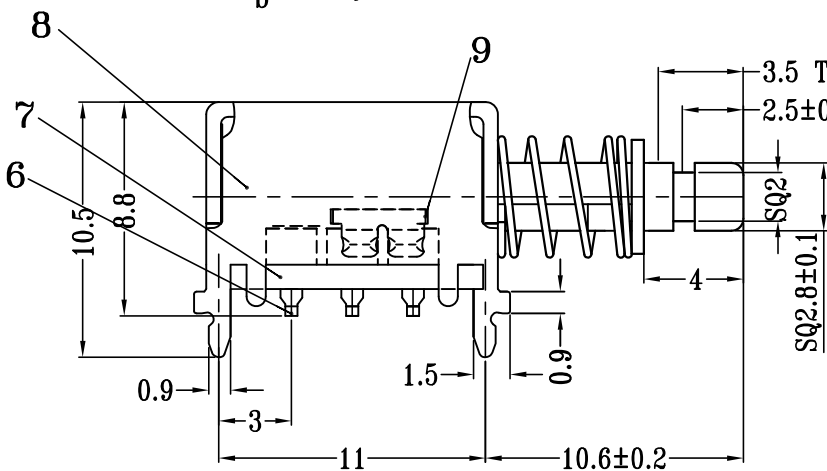


CAD FILE:



P.C.B LAYOUT  
TOP VIEW



SCHEMATIC (NON-SHORTING)

**SPECIFICATIONS**

1. LIFE TEST:WITHOUT LOADING 10000cycles at a speed of 15-18cycles
2. CONTACT RESISTANCE:30mΩmax
3. INSULATION RESISTANCE:100MΩmin
4. DIELECTRIC STRENGTH:500V AC FOR 1 MIN
5. OPERATING TEMPERATURE:-16°C-+60°C
6. RATING:DC 1.0A 12V
7. FUNCTION:2P2T
8. TIMING:NON-SHORTING

包装方式:

载带包装, 每圈包装数量: 500个。

注:“\*”表示关键尺寸(5个)。

NO.	PARTS	MATERIALS	Q'TY	FINISHING
9	CONTACT CLIP	PBS C5210R-EH	2	Ag CLAD
8	FRAME	STEEL STRIP	1	Ni PLATED
7	BASE	PHENOLIC RESIN	1	NATURAL
6	TERMINAL	BRASS STRIP	6	Ag PLATED
5	SPRING PLATE	PBS STRIP	1	Ni PLATED
4	CAM STICK	PBS WIRE	1	Ni PLATED
3	SPRING	STEEL WIRE	1	Ni PLATED
2	BLOCK	STEEL STRIP	1	Ni PLATED
1	KNOB	LCP	1	BLACK

TOLERANCE UNLESS SPECIFIED				
WITHIN 1.5mm	: ±0.1mm	A	2016-05-10	初版
OVER 1.5mm	: ±0.2mm	ISSUE	DATE	APPD.
TITLE : PUSH SWITCH		UNIT : mm	DRWG NO.: XB-PS-22E08	
MODEL: XB-PS-22E08		SCALE: 3:1		
<b>东莞市溪榜电子有限公司</b> DONG GUAN XI BANG ELECTRONI CS CO., LTD.		DWN.	张俊	2016-05-10
		CHK'D	黄锦效	2016-05-10
		APPD.	曾鹏	2016-05-10