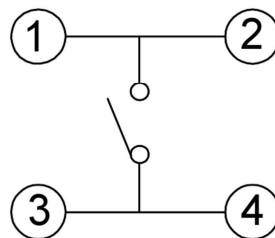
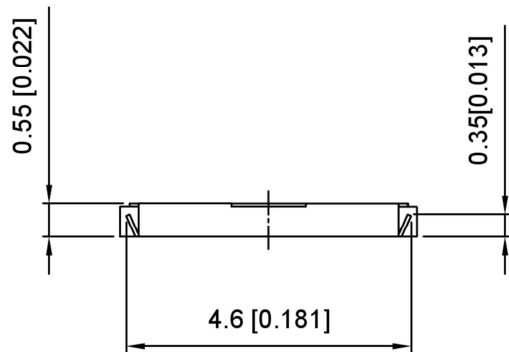
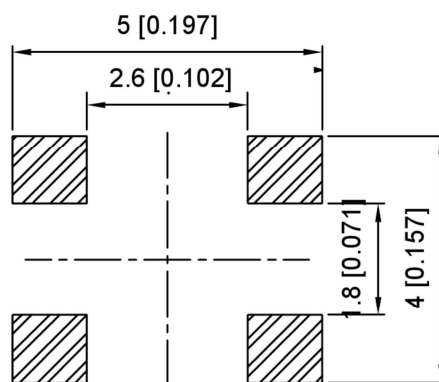


Circuit diagram



PCB Mounting Pattern Dimension



SPECIFICATION

Contact Rating: 50mA, 12V DC
 Contact Resistance: 100mΩ max
 Insulation Resistance: 100mΩ min. 500V DC
 Dielectric Strength: 250V AC/1minute
 Travel: 0.20mm
 Operating Temp: -30°C~+85°C
 Storage Temp: -30°C~+80°C

PAPT NO	TS-1197A-X
Operating Force	A:100gf B:160gf C:260gf
Height	H:0.55

ITEM	PAPT NAMF	TER,NO	QTY	MATERIAL	FINISHING	REMARK
⑤	Terminal	—	4	Brass (0.30t)	Plating silvering	——
④	Contact	—	1	F.ag/Sus	Natural	——
③	Base	—	1	Lcp		——
②	Cover	—	1	Brass	Plating Nickel	——
①	Keystake	—	1			——

DATE	REVISED	APPROVED	UNSPECIFIED TOLERANCES
			ANGULAR ±5°
			L ≤ 4 ±0.2
			4 < L ≤ 16 ±0.3
			16 < L ≤ 63 ±0.4
			L > 63 ±0.5



DSND	SCALE: N/A	MODEL TYPE: TACT SWITCH
DWN	VIEW:	PART NO.: TS-1197A-X
CHKD	UNIT: mm/in	DWG NO.:
APPD	SIZE: A4	