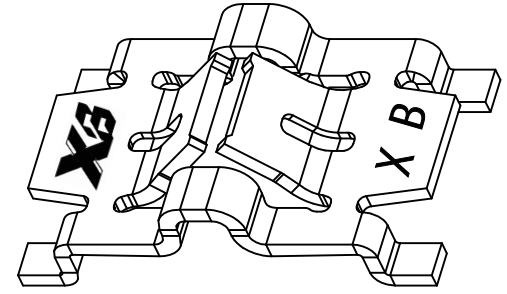
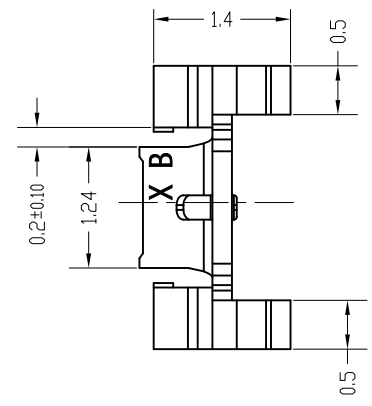
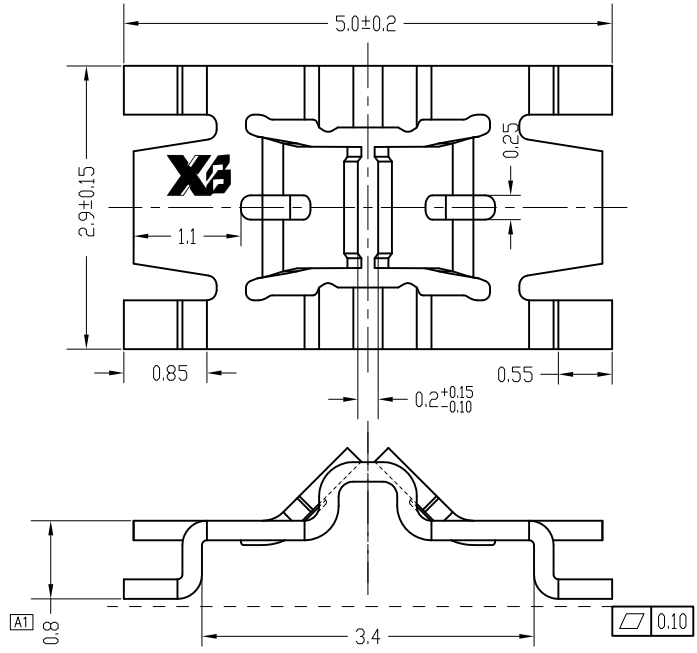
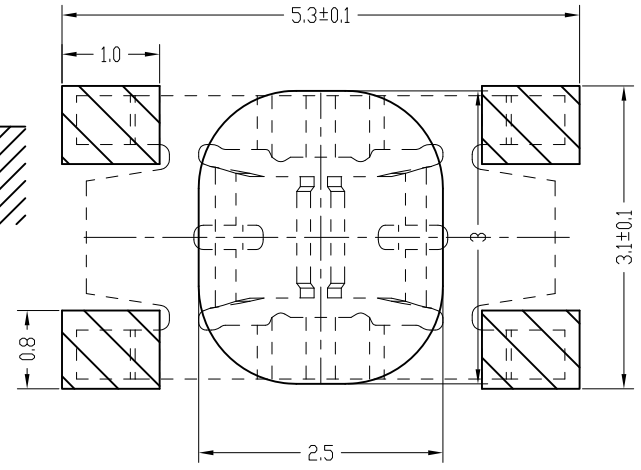
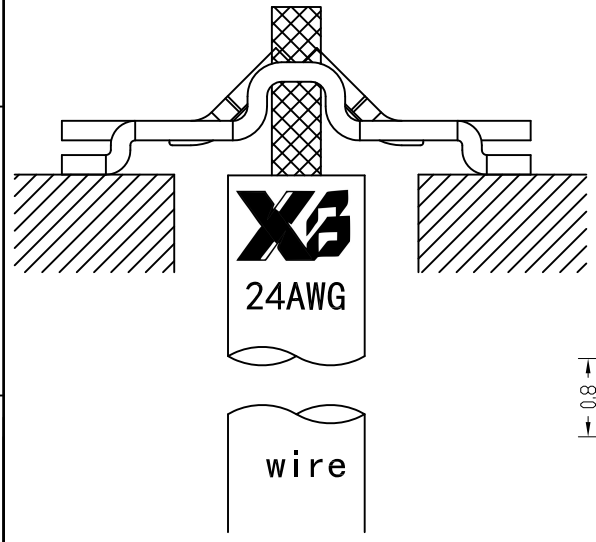


REV	DESCRIPTION	DESIGN	DATE
A0	NEW RELEASE	wdp	2017/07/05
A1	Modify 0.55 to 0.8	sjh	2017/11/28
AX1	New stamping tool	lzl	2019/05/29

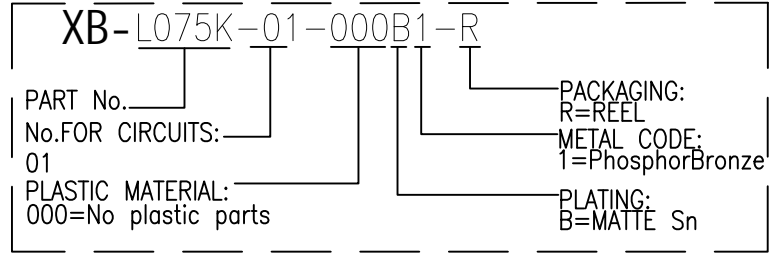


Specifications:
 Poles: 01
 Contact resistance: ≤30mΩ
 Rated voltage: 250V AC DC
 Rated current: 1.0A AC DC
 Temperature Range: -40°C ~ +125°C



Board Layout

ORDER INFORMATION:



东莞市溪榜电子有限公司 Switch Connector DONG GUAN XI BANG ELECTRONICS CO., LTD		TITLE: LED BULB CONNECTOR	
		PART NO.: L075K-01-000B1-R	
GENERAL TOLERANCE		USE: CUSTOMER	
X. ±0.50	X. ±5°	APPD: 王亮	
X.X ±0.30	X.X ±2°	CHKD: 刘振岭	
X.XX ±0.20	X.XX ±1°	DR: 蒋建银	
UNITS: mm		SCALE 1 : 1	SHEET 1 / 1