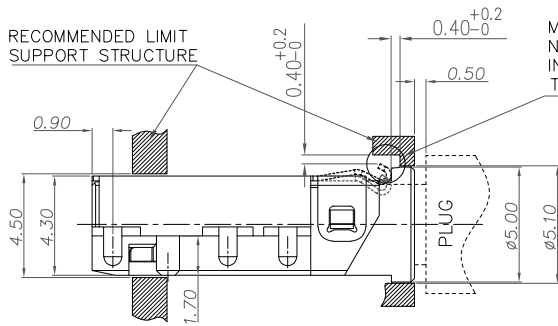
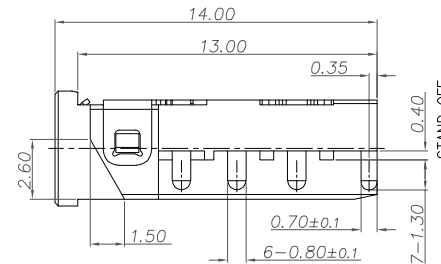
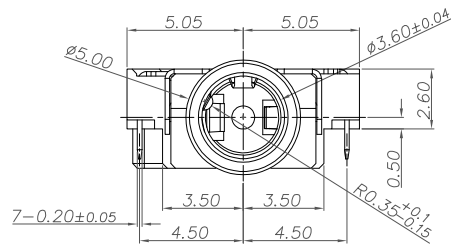


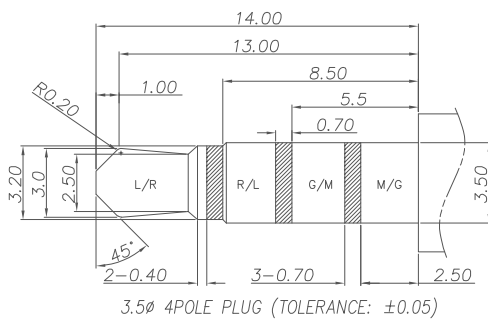
RECOMMEND PCB LAYOUT (TOP VIEW)  
TOLERANCE: ±0.05



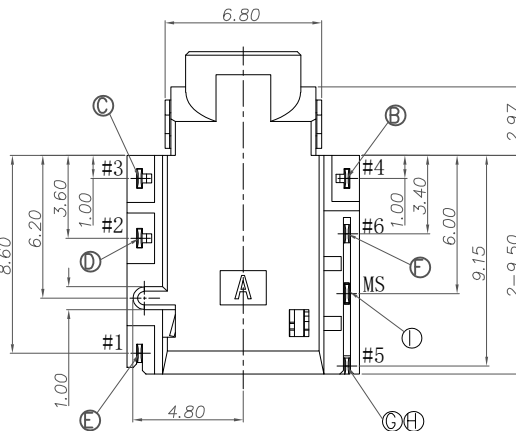
MATCH MECHANISM ID NEEDS TO AVOID INTERFERENCE WITH TERMINAL WHEN PLUG IN.



- SPECIFICATIONS:
- ELECTRICAL CHARACTERISTICS:
    - RATING: 12V 1A
    - CONTACT RESISTANCE: 50mΩ MAX.(INITIAL)
    - DIELECTRIC WITHSTANDING VOLTAGE: 500V AC FOR ONE MINUTE.
    - INSULATION RESISTANCE: 100MΩ MIN. MEASURED BY 500V DVC.
  - MECHANICAL CHARACTERISTICS:
    - INSERTION FORCE : 0.5~2.20Kgf. INITIAL; WITHDRAWAL FORCE : 0.5~2.0Kgf. INITIAL.
    - INSERTION FORCE : 0.4~2.20Kgf AFTER THE 5000TH; WITHDRAWAL FORCE : 0.4~2.0Kgf. AFTER THE 5000TH.
  - LIFE TEST: 5,000 CYCLES MIN. AFTER LIFE TEST, CONTACT RESISTANCE: 100mΩ MAX.
  - AFTER LIFE TEST, INSULATION RESISTANCE: 50MΩ MIN.
  - SALT SPRAY 48HR.
  - FOR REFLOW SOLDERING LEAD-FREE PROCESS.



3.5φ 4POLE PLUG (TOLERANCE: ±0.05)



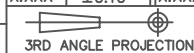
|     |                   |     |                      |  |
|-----|-------------------|-----|----------------------|--|
| I   | SHELL             | 1   | SUS304 3/4H 0.2t=0.2 | Ni 50u" Min  |
| H   | SEPARATOR         | 1   | PA10T UL94V-0        | BLACK  |
| G   | TRANSFER TERMINAL | 1   | C5210-EH t=0.2       | GOLD FLASH ON CONTACT AREA;<br>GOLD FLASH ON SOLDER AREA;<br>ALL OVER 50u" Ni. |
| F   | MAKE TERMINAL     | 1   | C5210-EH t=0.2       |  |
| E   | TIP SPRING        | 1   | C5210-EH t=0.2       |  |
| D   | RING A            | 1   | C5210-EH t=0.2       |  |
| C   | RING B            | 1   | C5210-EH t=0.2       |  |
| B   | EARTH             | 1   | C5210-EH t=0.2       |  |
| A   | BODY              | 1   | PA10T UL94V-0        | BLACK  |
| NO. | DESCRIPTION       | QTY | MATERIAL             | PLATING & COLOR  |

UNLESS OTHERWISE SPECIFIED TOLERANCES

**XIB** 东莞市溪榜电子有限公司  
DONG GUAN XI BANG ELECTRONICS CO., LTD.

|             |         |          |                          |                                    |
|-------------|---------|----------|--------------------------|------------------------------------|
| DECIMALS:   | ANGLES: | DESIGN:  | GAO.PENG<br>2021.9.15    | PART NAME:<br>φ3.5mm Audio Jack    |
| DIM TOL     | DIM TOL | CHECK:   |                          | PART NO.<br>XB-PJ03506-1112-00000H |
| X. ±0.50    | X. ±2°  | APPROVED | HE.LONG.FEI<br>2021.9.15 | SHEET: 1/1 REV.: A1                |
| X.X ±0.30   | X.X ±1° |          |                          | DRAWING NO                         |
| X.XX ±0.20  | X.XX    |          |                          |                                    |
| X.XXX ±0.10 | X.XXX   |          |                          |                                    |

|      |         |             |        |      |
|------|---------|-------------|--------|------|
| REV. | ECN NO. | DESCRIPTION | DESIGN | DATE |
|------|---------|-------------|--------|------|



UNIT: mm