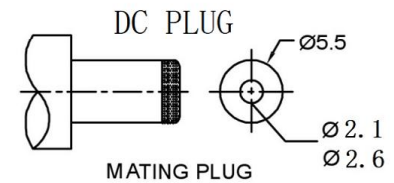
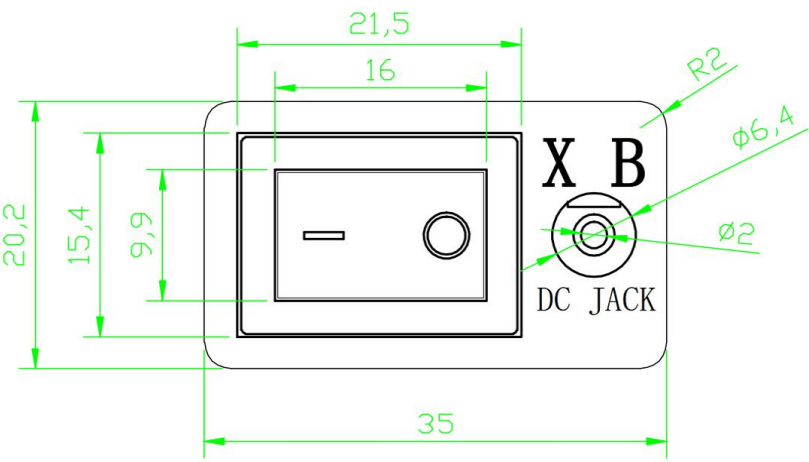
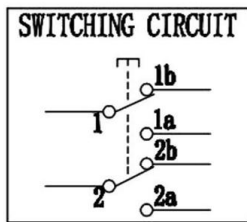
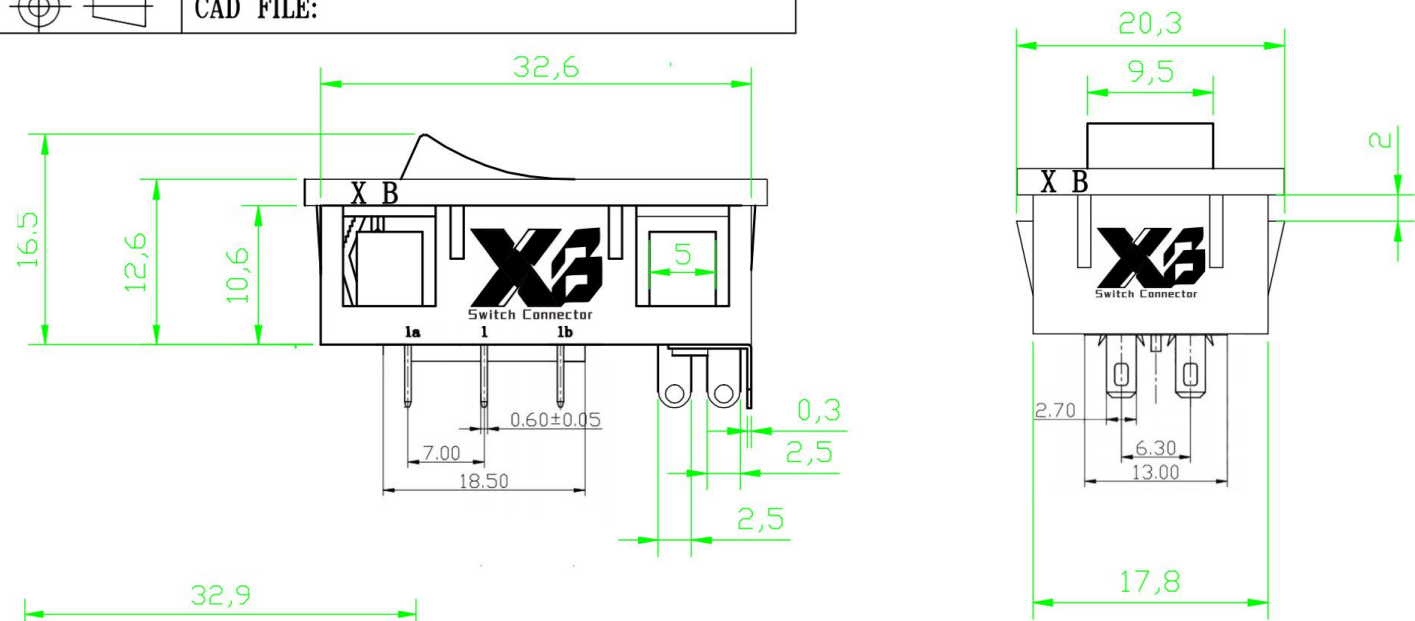


CAD FILE:

ROHS



SWITCH+DC SOCKET TWO IN ONE TECHNICAL PARAMETERS

一、ROCKER SWITCH & SPECIFICATION

- NOTES:
1. Rating: 6A 10A 125V 250V AC
CQC 6A 250VAC
6(8)A 250VAC
8A/128A 250VAC T105/55
UL CUL 10GPA 125VAC
6GPA 250VAC T105/55
VDE ENEC 6(4)A 250VAC T85/55
KC 6(4)A 250VAC T85/55
 2. Circuit Diagram: 2P ON-OFF/3P ON-OFF-ON
 3. Terminal Strength: ≥80N
 4. Electrical life: ≥10000 cycles
 5. Withstand Voltage: Withstand Voltage: 1500VAC 1min
Terminals to Button: 3000VAC 1min
 6. Leakage Current: 1mA
 7. Current resi stance: ≤50mΩ (initial)
 8. Insulation resistance: > 100M Ω
 9. Body Materil: NYLON 66 94V-2°0

二、DC JACK & SPECIFICATIO

- NOTES:
1. Rating : DC 12V 30V, 1A 3A
 2. Contact resistance : ≤30MΩ
 3. Insulation resistance : > 100MN
 4. Withstand voltage : 500VAC
 5. Insertion and extraction force : 3-20N
 6. Electrical life : >10,000 cycles

DC JACK SCHEMATIC	
CENTER PIN	φ2.0mm φ2.5mm

8					TOLERANCE						
7					UNLESS SPECIFIED						
6					WITHIN 1.5mm : ±0.1mm	A	2012-9-25	初版		ZENQ. CHEN	
5					OVER 1.5mm : ±0.2mm	ISSUE	DATE	DESCRIPTIONS OF REVISION		APPD.	
4	CONTACT	SUS	1	Ag CLAD	TITLE : Rotary Switch			UNIT : mm	DRWG NO.: XB-RS-DC-05		
3	CASE	PPA/BRASS SRTIP	1	BLACK/Ag PLATED	MODEL: XB-RS-DC-05			SCALE: 5:1	DWN.	JUN. YANG	2012-9-25
2	COVER	STEEL STRIP	1	Ni PLATED	东莞市溪榜电子有限公司			CHK'D	DONG. PANG	2012-9-25	
1	KNOB	PPA	1	BLACK				APPD.	ZENQ. CHEN	2012-9-25	
NO.	PARTS	MATERIALS	Q'TY	FINISH	DONG GUAN XI BANG ELECTRONI CS CO., LTD.						