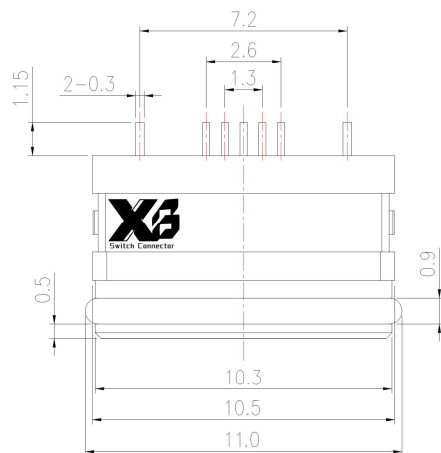


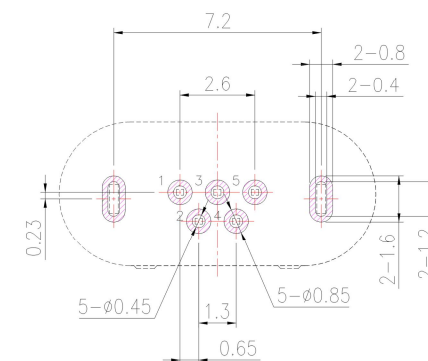
# IPX7



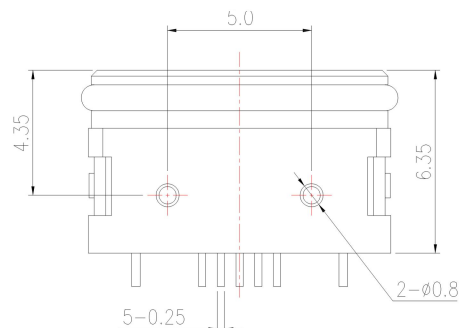
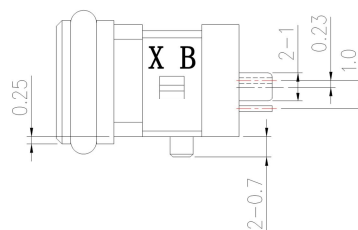
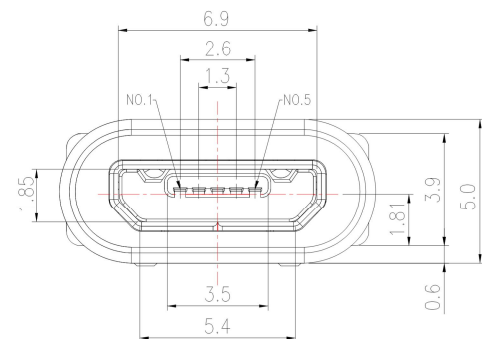
MRUSB-5B-WP18-x-S404

鍍層厚度:

Blank : 1u"
2 : 15u"
3 : 30u"



P.C.B LAYOUT MOUNTING PATTERN



Contact Number	Signal Name	Remarks
1#	VBUS	Power
2#	D-	Date-
3#	D+	Date+
4#	ID	Reserve or Gound
5#	GND	Gound

NOTES:

MATERIAL:

- 1.1 HOUSING: PA9T / LCP
- 1.2 CONTACT: PHOSPHOR BRONZE
- 1.3 SHELL: SUS

FINISH:

- 2.1 CONTACT: PLATED GOLD IN MATING AREA ;  
GOLD PLATED ON SOLDER BALLS ;  
NICKEL UNDER PLATED OVERALL.
- 2.2 SHELL: NICKEL UNDER PLATED SURFACE LAYER

3.SPECIFICATION:

- 3.1 RATING: 1.5A
- 3.2 DIELECTRIC WITHSSTANDING VOLTAGE: 500 VAC
- 3.3 CONTACT RESISTANCE: 30 mΩ MAX.
- 3.4 INSULATION RESISTANCE: 1000 MΩ MIN.

**XB** 东莞市溪榜电子有限公司  
DONG GUAN XI BANG ELECTRONICS CO., LTD.

TOLERANCE UNLESS OTHERWISE STATED:

Up to 5 ±0.2  
Above 5 ~ 15 ±0.3  
Above 15 ~ 30 ±0.4  
Above 30 ~ 50 ±0.5  
Angle ±0.3°

3RD. ANGEL'S



UNITS

MM

DRAWN BY: Jack Lu  
CHECKED BY: Jacky Chen  
APPROVED BY: Tony Kao

DATE: 06/25/21  
DATE: 06/25/21  
DATE: 06/25/21

MAT'L  
FINISH  
SCALE  
SHEET NO.

TITLE  
MODLE  
DWG NO.  
PART NO.

CONNECTOR  
MICRO USB 5P F B TYPE H 3.9  
防水型 IPX7  
MRUSB-5B-WP18-x-S404  
MRUSB-5B-WP18-x-S404

SIZE: A4  
VER: R

ITEM NO.	DESCRIPTION	DRAWN	DATE