

Unit: mm

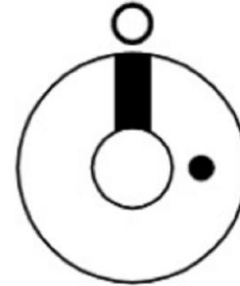
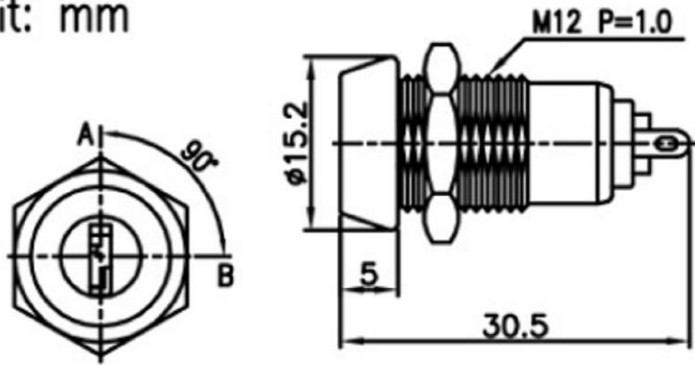


Fig.1

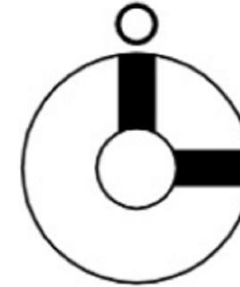
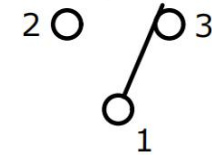


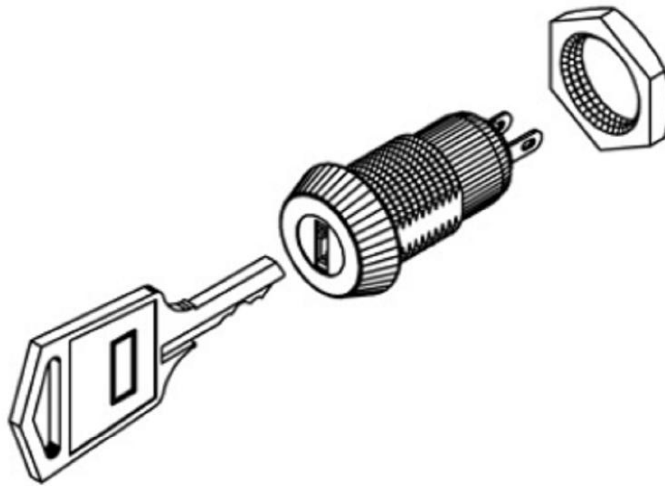
Fig.2

**ROHS**

SWITCH FUNCTION	
POS. 1	POS. 2
ON	ON
1-3	1-2



▲ SPDT ON-ON CONTACT CONFIGURATION



Recommended hole size



- Zinc alloy die cast housing and plastic cylinder.
- Stainless steel capped bezel.
- Chrome plated standard.
- 4 disc tumbler mechanism.
- Brass keys, nickel plated.
- Silver plated contacts and terminals.
- 2 position (off-on) 2 terminals.
- Hex nut mounted.

Fig No	Lock Number	Pole	Positions	Terminals	Key Pulls	Turn	⬆	⬇	Type
1	S109B-1	1	2	2	1	90°	Off	On	SPST
2	S109B-2	1	2	2	2	90°	Off	On	SPST

NOTE:

1. ALL DIMENSIONS IN mm [INCH]
2. GENERAL TOLERANCE: X.X = ±0.4  
X.XX = ±0.25
3. TERMINAL NUMBERS FOR REF ONLY
- ▲ 4. CONTACT MATERIAL: SILVER
5. RATING: 2A 24VDC
6. ELECTRIC LIFE: 50,000 MAKE-AND-BREAK CYCLES AT FULL LOAD.
7. INSULATION RESISTANCE: 1,000 MΩ MIN.
8. DIELECTRIC STRENGTH: 1,500 VAC MIN. FOR 1 MINUTE
9. CONTACT RESISTANCE: 50mΩ MAX. @ 1A 12VDC
10. OPERATING TEMP.: -20°C to 55°C
11. ▲ DENOTES CRITICAL PARAMETER.
- ▲ 12. INGRESS PROTECTION: IP40
- ▲ 13. HARDWARE SUPPLIED: KEY, O-RING, AND HEXNUT

material contained in this drawing is the property of XiBang. Any use other than that specifically authorized by XiBang is prohibited. The above drawing IS subjected to change for improvement without prior notice.

				<b>东莞市溪榜电子有限公司</b> DONG GUAN XI BANG ELECTRONICS CO.,LTD					
				TITLE : XB KEY SWITCH ELECTRONIC LOCK					
MODEL : XB-S-109B									
UNIT : MM	DWN.	ZENQ. CHEN	DATE						
SCALE : 3 : 1	CHK'D	PENG. GAO	DATE						
VERSION : 01	APPD.	FEI. LONG. HE	DATE						
				TOLBRANCE ≤1.5mm±0.1 > 1.5mm±0.2 >10mm±0.3		ANGLE ±2°			
				7 SPRING STEEL WIRE 1 NATURE 6 STEEL BALL STEEL 1 NATURE 5 BOARD PHENOLIC RESIN 1 NATURE 4 CONTACT CLIP PBS STRIP 2 Ag PLATED 3 FRAME IRON STRIP 1 Ni PLATED 2 TERMINAL BRASS STRIP 8 Ag PLATED 1 KNOB POM 1 BLACK		NO. PART NAME MATERIAL QTY. FINISHING			