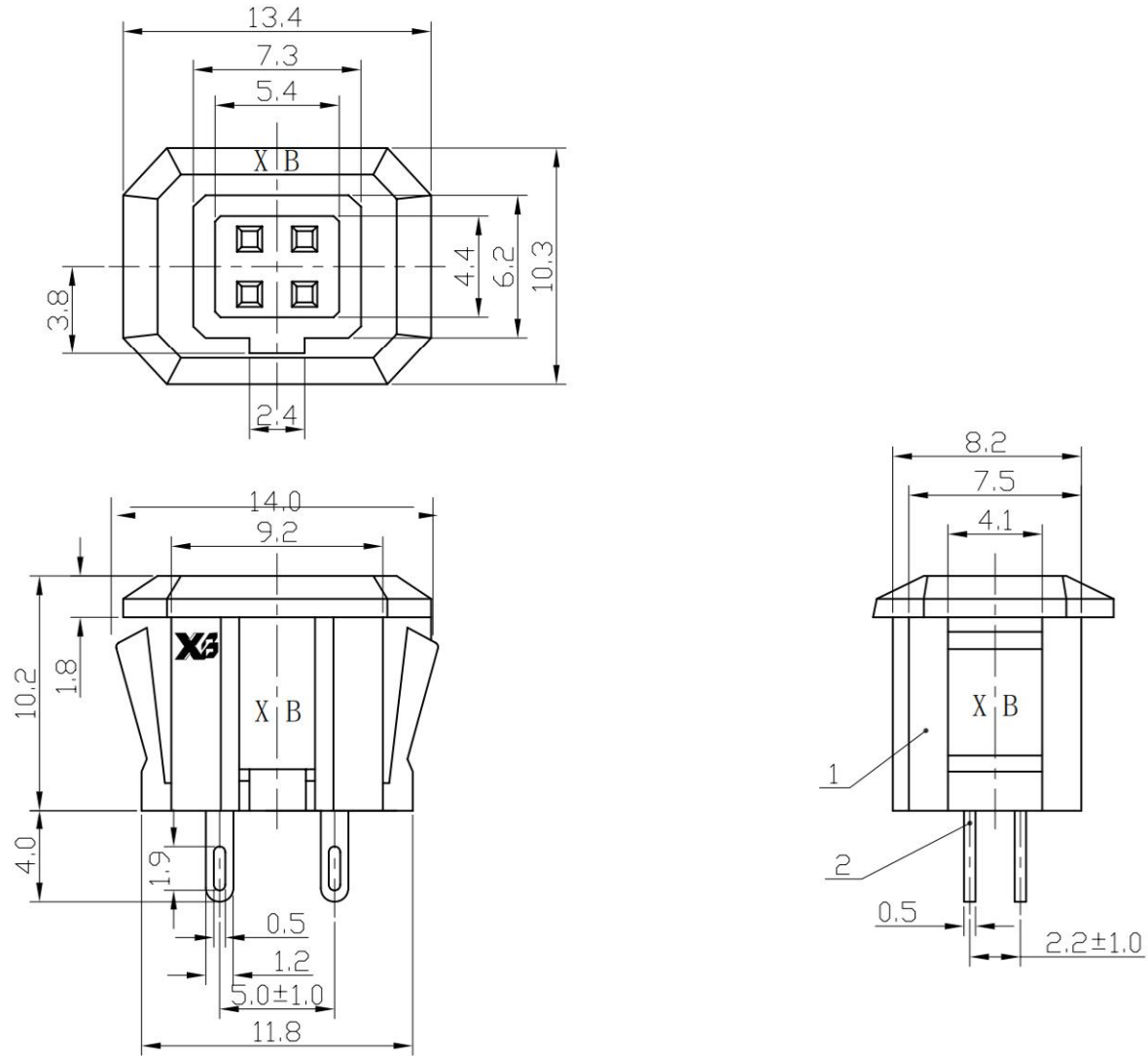


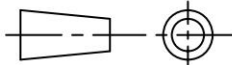
# ROHS



东莞市溪榜电子有限公司  
DONG GUAN XI BANG ELECTRONICS CO.,LTD

TITLE : RCA JACK

MODEL : DIN-204 (Y043)



TOLERANCE  
≤1.5mm ± 0.2  
> 1.5mm ± 0.3

ANGLE TOL  
± 2°

UNIT : MM	DWN.	DATE
SCALE : 3 : 1	CHK'D	DATE
VERSION	01	APPD.

3	CASE	NYLON	1	BLACK
2	TERMINAL	BRASS STRIP	4	Ag PLATED
1	HOUSING	NYLON	1	BLACK
NO.	PART NAME	MATERIAL	QTY	FINISHING