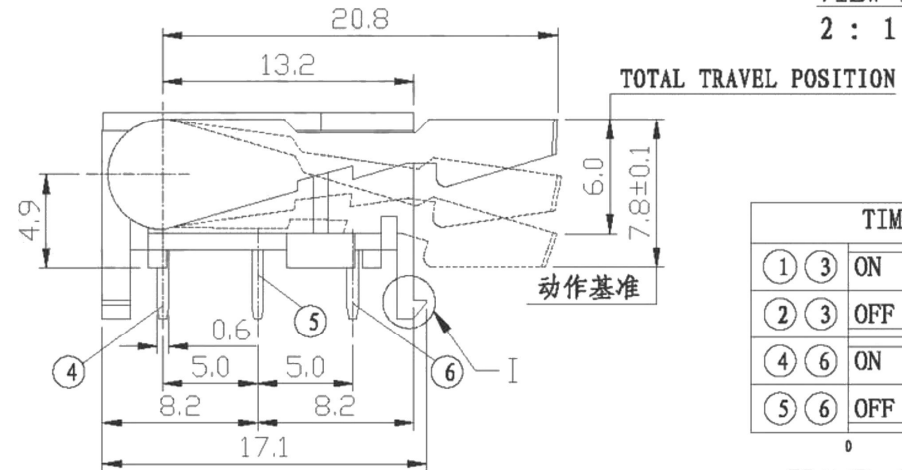
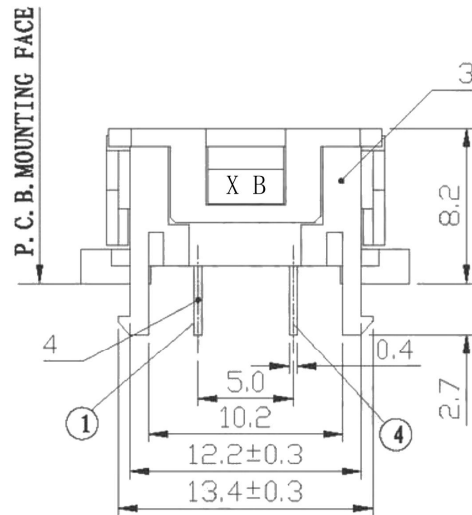
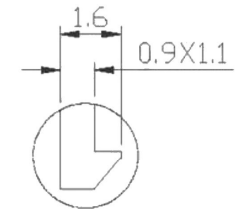
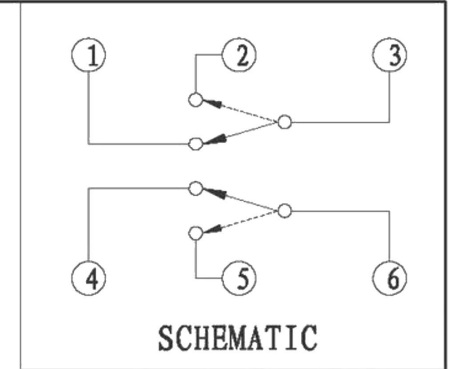
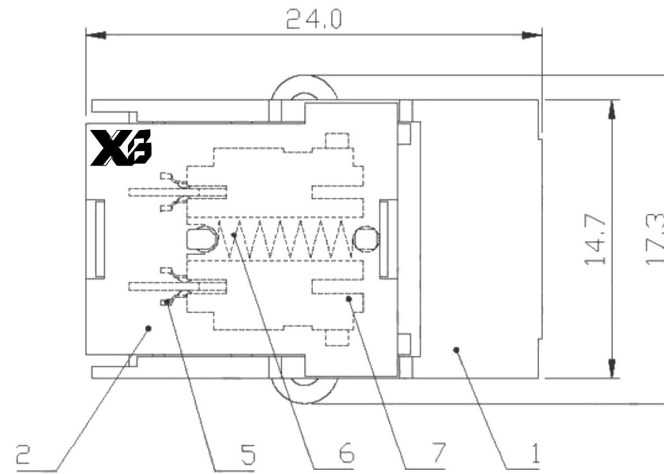
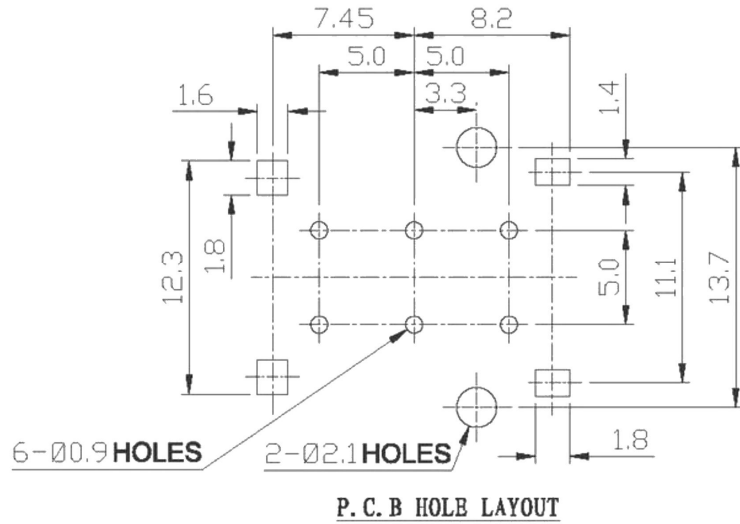


ROHS



TIME LAG DIAGRAM

① ③	ON	OFF
② ③	OFF	ON
④ ⑥	ON	OFF
⑤ ⑥	OFF	ON

0 2.7 3.0 3.3 4.2

TRAVEL POSITION(±0.5) (MM)



东莞市溪榜电子有限公司
DONG GUAN XI BANG ELECTRONICS CO.,LTD

TITLE : HOOK SWITCH

MODEL : HS-22L05



TOLERANCE
≤ 5mm ±0.1
> 5mm ±0.2
> 10mm ±0.3

ANGLE TOL
±2°

UNIT : MM	DWN.	DATE		7 SLIDER	POM	1	BLACK
SCALE : 2.5 : 1	CHK'D	DATE		6 SPRING	STEEL WIRE	1	NATURE
VERSION	05	APPD.	DATE	5 CONTACT CLIP	PBS STRIP	2	Ag CLAD
				4 TERMINAL	NYLON/BRASS STRIP	2	BLACK/Ag PLATED
				3 CASE	NYLON	1	BLACK
				2 COVER	POM	1	BLUE
				1 KNOB	POM	1	WHITE
				NO. PART NAME	MATERIAL	QTY	FINISHING